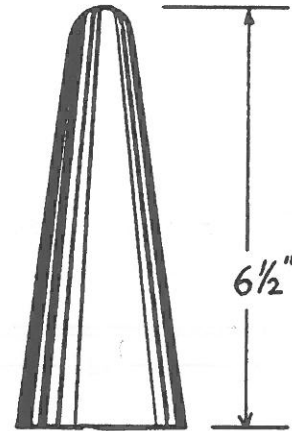
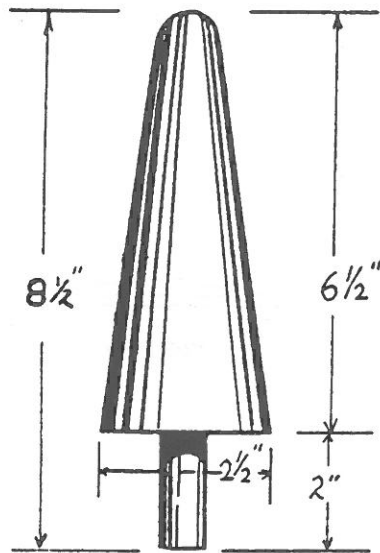


# Alloyed Iron Stoppers For Reverberatory Furnaces

To control flow of metal from furnace.

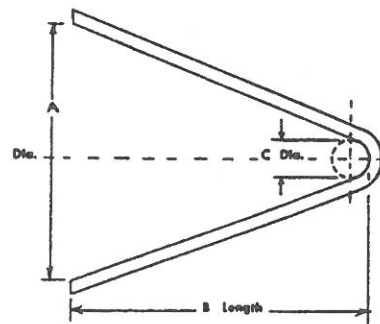
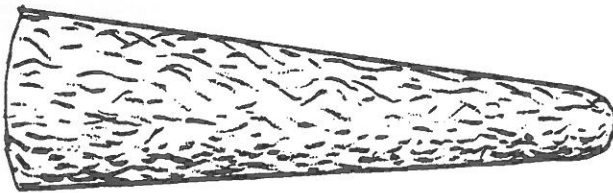
## STOPPER 9001



DRILLED AND TAPPED FOR 3/8"

ALSO AVAILABLE IN MANY OTHER SIZES

# Refractory Tap Hole Cones



The cones are used in aluminum reverberatory furnaces. They are placed over the tap hole plug and when inserted, create a firm and uniform seal. Easy extraction of the plug and cone causes no damage to the tap hole itself. The use of the cone eliminates completely the messy manufacture and risks involved using the old-fashioned "dough balls." The cones are stocked in standard sizes, but special dimensions can be produced. Give dimensions "A," "B," and "C" when ordering.

To order, give dimensions "A," "B," and "C".