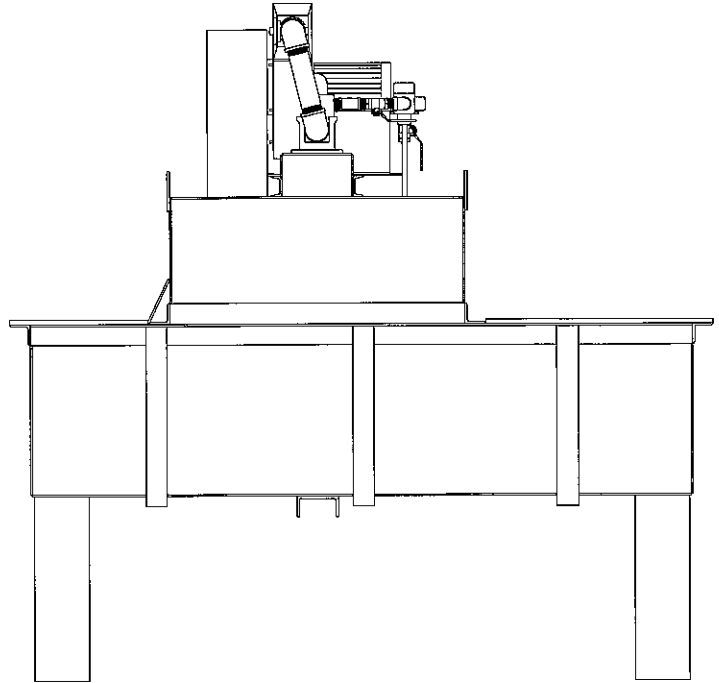
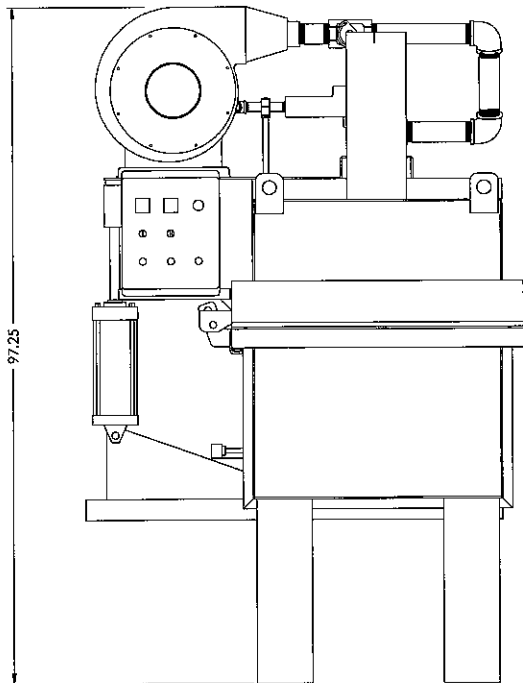
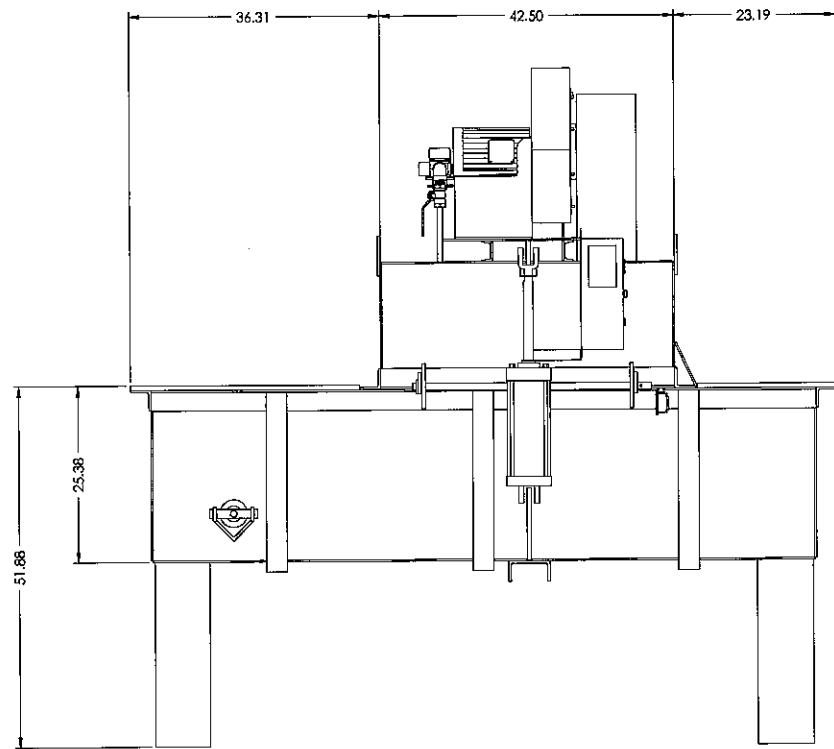
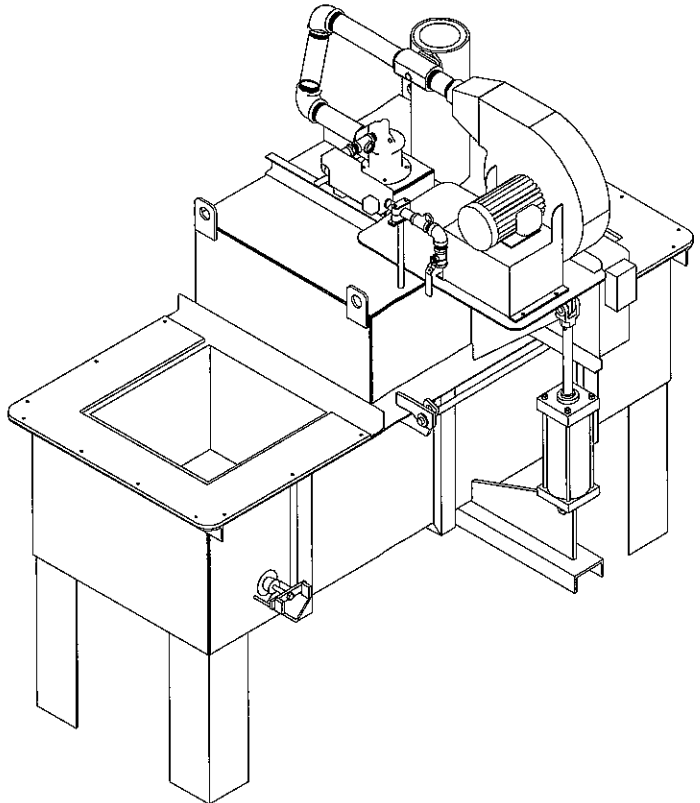


PRELIMINARY
NOT APPROVED FOR CONSTRUCTION



UNLESS OTHERWISE SPECIFIED ALL DIMS. IN INCHES	
IMPERIAL TOL.	METRIC TOL.
FRACTIONS ±.015	X = ±.02
X = ±.003	XX = ±.012
XX = ±.010	XXX = ±.0060
XXX = ±.005	XXXX = ±.0030
XXXX = ±.0025	
ANGULAR TOL. ±.2°	
THIRD ANGLE PROJ.	
UNLESS NOTED	
WELDS: CONTINUOUS FILLET	
REMOVE UNNECESSARY SHARP CORNERS	

L. HABERNY COMPANY CHAGRIN FALLS, OH	
BLACK BOX FURNACE	
OUTLINE DRAWING	
DRN. 4/13/2018 BY JBI	PCN
CHK. 4/13/2018 BY JBI	DRAWING NUMBER
SCALE 1:12	01 B9178-201
	REV. 0

REV.	DESCRIPTION	DATE	BY